

Product Fact Sheet



Maxxphase Chronos Data Compatibility Standard

The Calendar

The Maxxphase Chronos DCS product is for the Gregorian calendar data domain. Most, if not all, business data is related to date and time master data. The Chronos DCS product is used globally, as is the Gregorian calendar.

The range of calendar data for the Chronos DCS product is from January 1, 1900, to January 1, 2050. This data range may be adjusted as needed, and Chronos DCS can be modified to support financial calendars as required.

Chronos DCS Product Governance

Chronos DCS is compliant with the ISO (International Standards Organization) 8601 standard defined for the Gregorian calendar. The Chronos DCS structural metadata is designed and maintained by Maxxphase, as is the master data content.

The Chronos DCS product standard hierarchy defines time periods of:

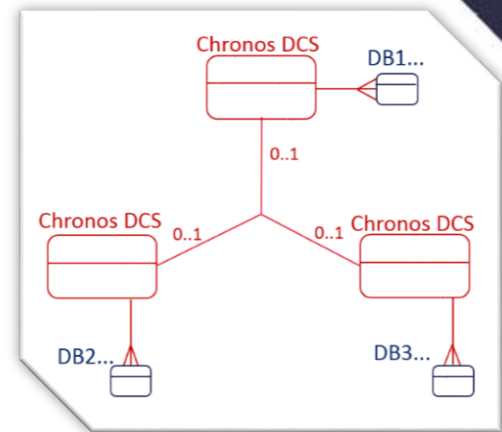
- Years
- Quarter years within the year
- Months within the quarter years
- Weeks within the year
- Calendar dates

Compatible Business Intelligence Enabled

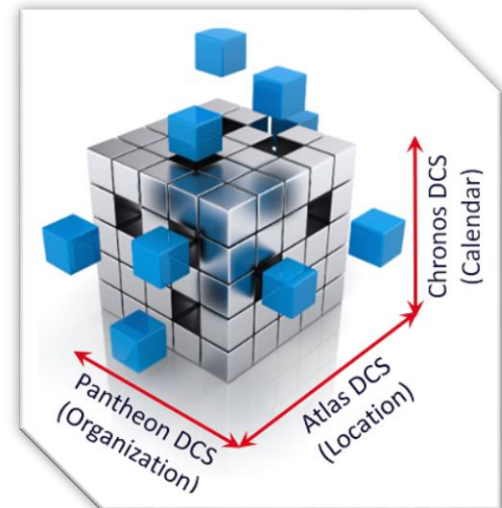
Maxxphase DCS products utilize data sharing. For example, significant events can be related to the Chronos DCS in a compatible database. Before and after analyses are now possible for any data measures shared from any compatible data system. Data sets to smooth serial data or to analyze seasonal trends can be related to a Chronos DCS in a compatible data system to analyze any shared data measures. Maxxphase data sharing is critical to cross-functional business intelligence and analytics.

Documentation and Software

The Maxxphase Chronos DCS product includes software to implement Chronos DCS related data modeling objects and database tables. Also included are software and the set of master data records needed to populate Chronos DCS objects. Documentation included consists of the Data Compatibility Standard Product Overview, Data Compatibility Architecture Guide and the Chronos DCS Implementation Guide.



The Peer Data Entity Relationship



The Compatible Data System

Sales@maxxphase.com

908-369-1893

601 Rt. 206, Suite 26-300
Hillsborough, NJ 08844

maxxphase
THE DATA COMPATIBILITY COMPANY